

SET LIVING CITY BY LAUFEN

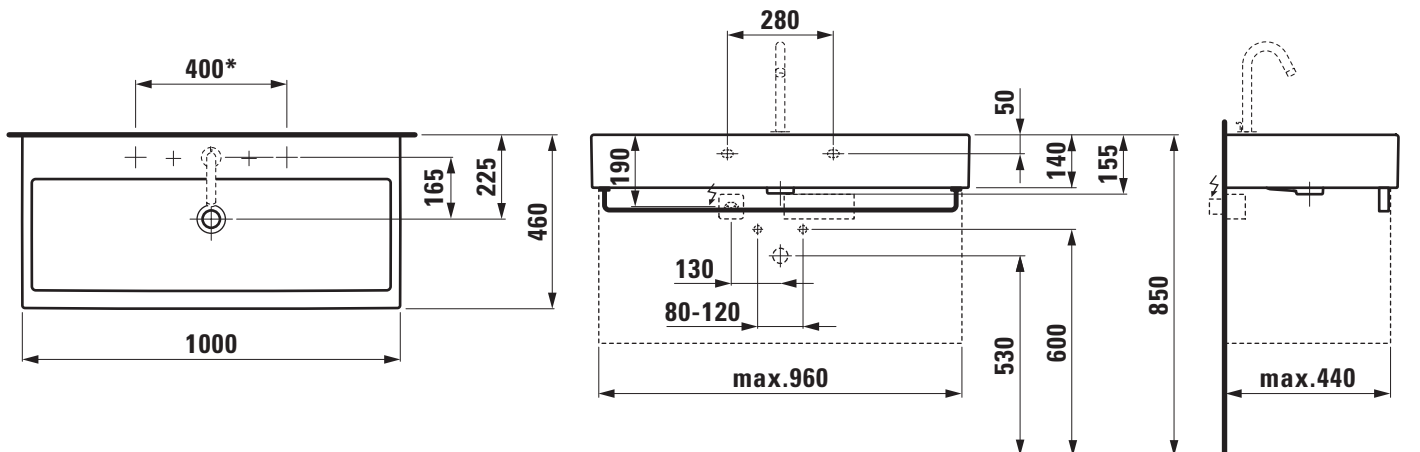
Countertop basin with and without electronic faucet control 81843.7



TECHNICAL DATA

Order no.	81843.7	Weight	26,5 kg
Certified to	EN 32	Accessories incl.	Charge 160/166, 161 – Sensor, faucet, electronic box with all mounting accessories
Dimensions	1000 x 460 mm	Accessories excl.	Towel rail, order no. 89542.6
Inside dimensions of the basin	950 x 300 mm	Mounting acc. excl.	Mounting set M10 x 140 mm, order no. 89988.2
Specification	Charge 104 – 1 centre tap hole	Colours	see colour table
Special specification	Charge 107 – 2 tap holes, distance 400 mm Charge 108 – 3 tap holes Charge 109 – without tap hole Charge 111 – 1 tap hole, without overflow Charge 112 – without tap holes, without overflow Charge 136 – 3 tap holes, distance 8 inches Charge 160 – 1 centre tap hole, with electronic faucet control, mains 230V Charge 166 – 1 centre tap hole, with electronic faucet control, concealed power supply 230V Charge 161 – 1 centre tap hole, with electronic faucet control, battery (4x 1.5 V)		

TECHNICAL DRAWINGS / S 1 : 20



* = only Charge 107