

# SET LIVING CITY BY LAUFEN

## Countertop basin / cuttable without electronic faucet control

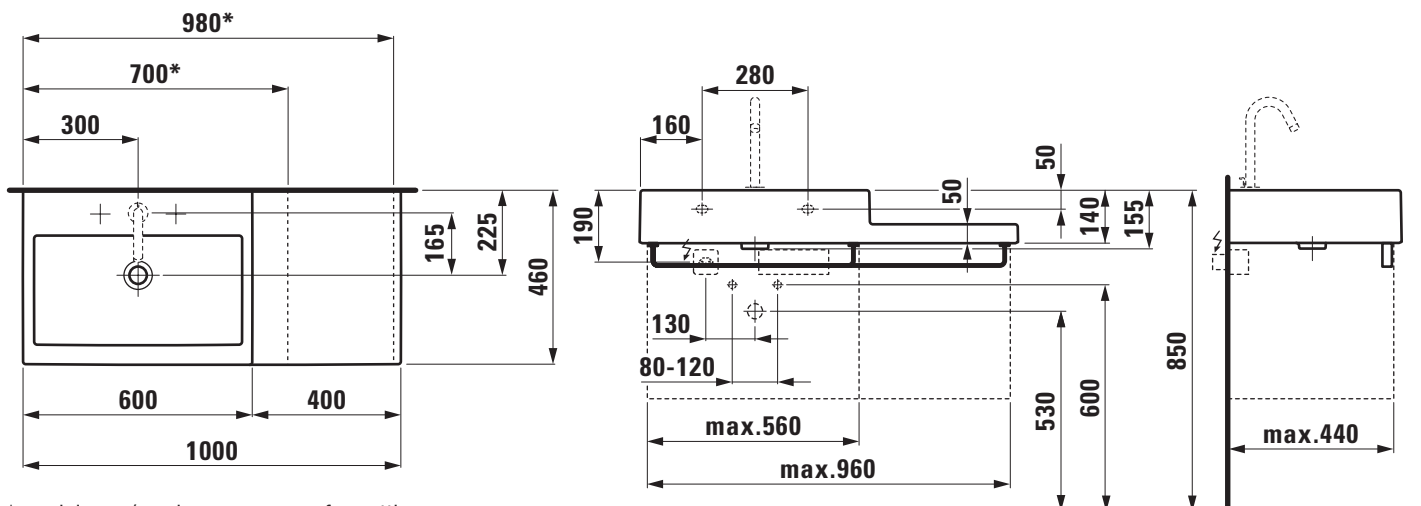
### 81843.2



#### TECHNICAL DATA

Order no.	81843.2	Special specification	With decoration on ceramic shelf
Certified to	EN 32		Charge 134 – 1 centre tap hole
Dimensions	1000 x 460 mm		Charge 138 – 3 tap holes
Inside dimensions of the basin	550 x 290 mm		Charge 139 – without tap hole
Specification	Basin left, ceramic shelf right without decoration Cut one-sided to 700 - 980 mm Charge 104 – 1 centre tap hole	Weight	Charge 141 – 3 tap holes, distance 8 inches 26,0 kg
Special specification	Charge 108 – 3 tap holes Charge 109 – without tap hole Charge 111 – 1 tap hole, without overflow Charge 112 – without tap holes, without overflow Charge 136 – 3 tap holes, distance 8 inches Charge 135 – 1 centre tap hole, cut one-sided Charge 150 – 3 tap holes, cut one-sided Charge 159 – without tap hole, cut one-sided	Accessories excl.	Towel rail 600 mm, order no. 89543.4 Towel rail 1000 mm, order no. 89543.6
		Mounting acc. excl.	Mounting set M10 x 140 mm, order no. 89988.2
		Otherwise	When ordering the cut version use the order form for cutting
		Colours	see colour table

#### TECHNICAL DRAWINGS / S 1 : 20



\* = minimum/maximum measure for cutting