

Mirror with LED lighting

44763.1

44764.1

44765.1

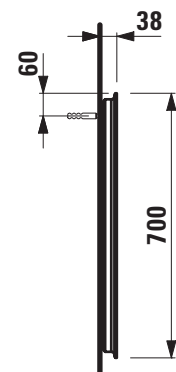
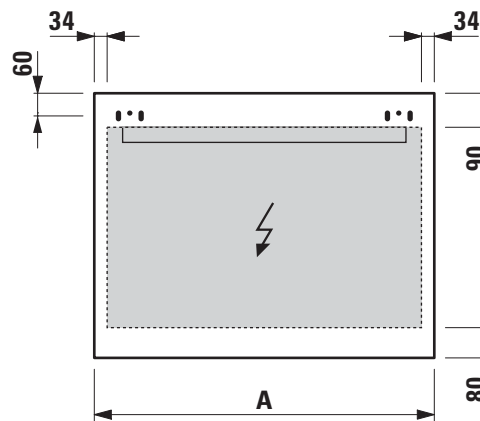
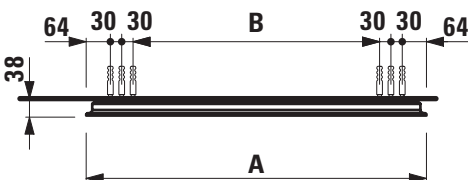
44766.1



TECHNICAL DATA

Order no.	44763.1, 44764.1 44765.1, 44766.1	Weight	44763.1 – 7,1 kg 44764.1 – 9,2 kg 44765.1 – 10,3 kg 44766.1 – 11,3 kg
Certified to	IP44		
Energy label	A+		
Dimensions (WxHxD)	see table and drawing below	Mounting acc. incl.	2 installation sets, order no. 49621.9 1 installation set, order no. 49622.0
Specification	hardwired for room switch Mirror glass 4 mm with security foil, integrated in aluminum frame electro polished With integrated horizontal LED lighting 4000 Kelvin, IP44, 230V, 50/60 Hz Electrical power (W): 44763.1 – main light 7,0W 44764.1 – main light 10,0W 44765.1 – main light 11,0W 44766.1 – main light 12,0W	Mounting information	The fortification walls must meet the requirements of the furniture in terms of weight and the supplied fasteners. This can not be guaranteed, another method of attachment is chosen. 230V power supply required.

TECHNICAL DRAWINGS / S 1 : 20



Order no.	A / mm	B / mm
44763.1	600	352
44764.1	800	552
44765.1	900	652
44766.1	1000	752