

LEELO MIRROR

Mirror with LED lighting 1 touch sensor

44763.2

44764.2

44765.2

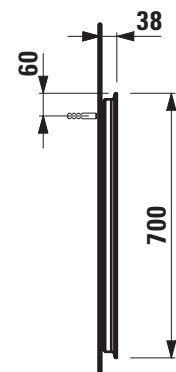
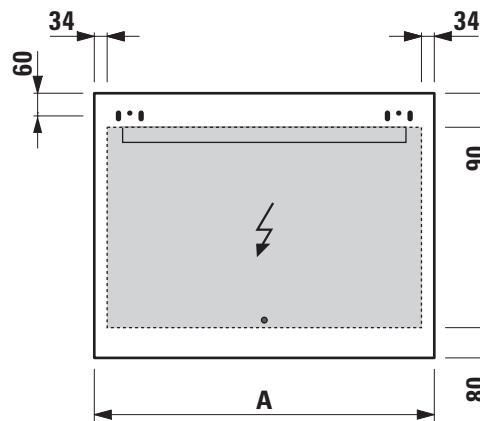
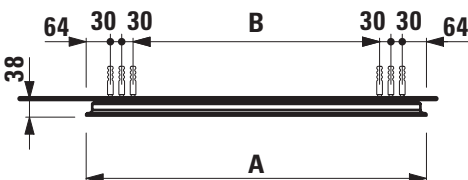
44766.2



TECHNICAL DATA

Order no.	44763.2, 44764.2 44765.2, 44766.2	Weight	44763.2 – 7,1 kg 44764.2 – 9,2 kg 44765.2 – 10,3 kg 44766.2 – 11,4 kg
Certified to	IP44	Mounting acc. incl.	2 installation sets, order no. 49621.9 1 installation set, order no. 49622.0
Energy label	A++	Mounting information	The fortification walls must meet the requirements of the furniture in terms of weight and the supplied fasteners. This can not be guaranteed, another method of attachment is chosen. 230V power supply required.
Dimensions (WxHxD)	see table and drawing below		
Specification	<p>1 touch sensor (on-off/dimming) with memory function, last light state is remembered</p> <p>Mirror glass 4 mm with security foil, integrated in aluminum frame electro polished</p> <p>With integrated horizontal LED lighting</p> <p>4000 Kelvin, IP44, 230V, 50/60 Hz</p> <p>Electrical power (W):</p> <p>44763.2 – main light 7,7W</p> <p>44764.2 – main light 11,1W</p> <p>44765.2 – main light 12,8W</p> <p>44766.2 – main light 14,5W</p>		

TECHNICAL DRAWINGS / S 1 : 20



Order no.	A / mm	B / mm
44763.2	600	352
44764.2	800	552
44765.2	900	652
44766.2	1000	752