

**Countertop 65 mm without cut-out  
404680**

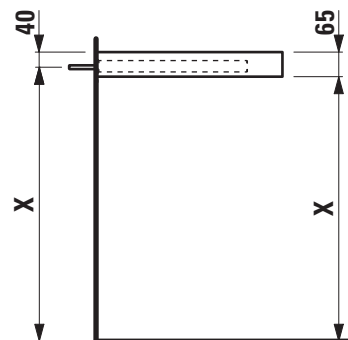
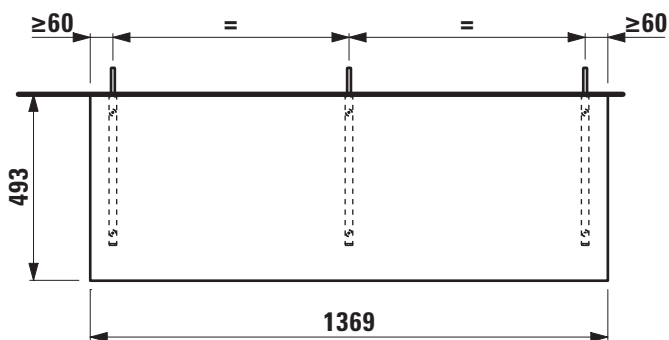


**TECHNICAL DATA**

Order no.	404680 / without cut-out
Dimensions (WxHxD)	1369 x 65 x 493 mm
Specification	Countertop – 65 mm box framed made of 18 mm MDF with laminate (only 260 – White matt) or PVC foil ( 266 – Traffic grey, 267 – Wild oak) with 3 mounting brackets max. load 150 kg
Weight	15,2 kg
Mounting acc. incl.	Installation set, order no. 490522 and mounting brackets, order no. 492470
Accessories excl.	Towel holder chrome plated or lacquered, order no. 493120 Towel rail, anodized aluminium, order no. 490951

Mounting information	The walls installed on must meet the requirements of the furniture in terms of weight and the supplied fastening elements. If this cannot be guaranteed another method of installation needs to be chosen.
Colours	260 – White matt 266 – Traffic grey 267 – Wild oak

**TECHNICAL DRAWINGS / S 1 : 20**



X = The exact height must be set during installation.