

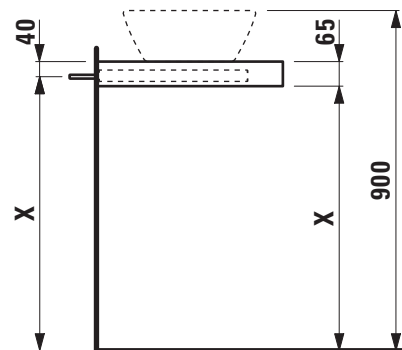
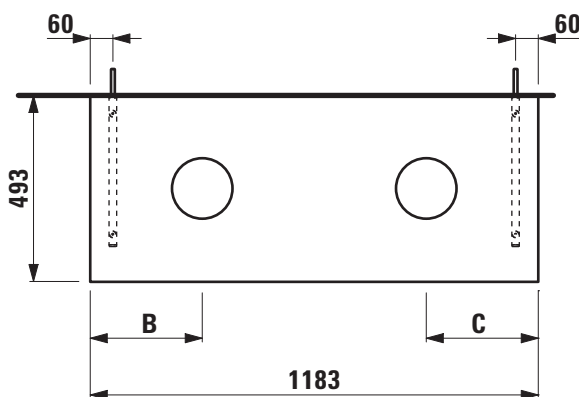
**Countertop 65 mm with 2 cut-outs  
404674**



**TECHNICAL DATA**

Order no.	404674 / 2 cut-outs	Mounting acc. incl.	Installation set, order no. 490522 and mounting brackets, order no. 492470
Dimensions (WxHxD)	1183 x 65 x 493 mm	Mounting information	The walls installed on must meet the requirements of the furniture in terms of weight and the supplied fastening elements. If this cannot be guaranteed another method of installation needs to be chosen.
Matching for washbasin	see table below	Colours	260 – White matt 266 – Traffic grey 267 – Wild oak
Specification	Countertop – 65 mm box framed made of 18 mm MDF with laminate (only 260 – White matt) or PVC foil ( 266 – Traffic grey, 267 – Wild oak) with 2 mounting brackets max. load 150 kg	Otherwise	When ordering use the order form for Modular System and Countertops.
Weight	12,5 kg		
Accessories excl.	Towel holder chrome plated or lacquered, order no. 493120 Towel rail, anodized aluminium, order no. 490951		

**TECHNICAL DRAWINGS / S 1 : 20**



B / mm	C / mm	Ceramic
296	887	Ino 812300, 816300, 817301 Kartell • LAUFEN 812331, 818331 Laufen Pro 812962 Living 811433, 811435

B / mm	C / mm	Ceramic
296	887	Savoy 812942 Sonar 812340, 812341, 812342, 812343, 816341 The New Classic 812850, 812851 Val 812280, 813281, 816280

X = The exact height must be set during installation.