

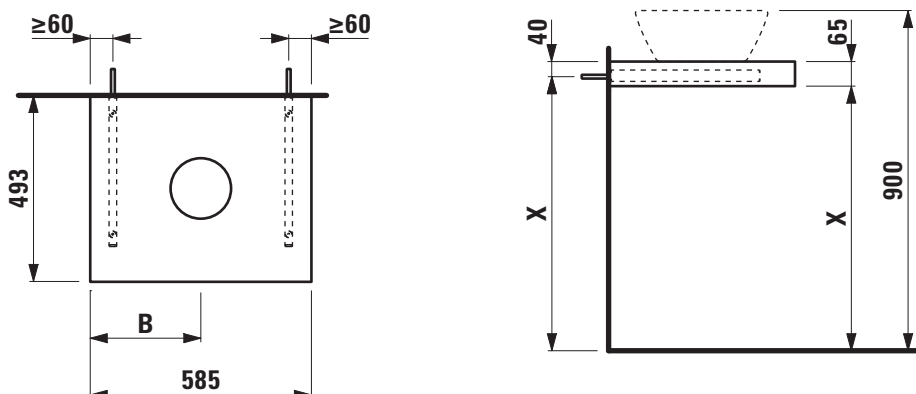
**Countertop 65 mm with cut-out  
404641**



**TECHNICAL DATA**

Order no.	404641 / 1 centre cut-out	Mounting acc. incl.	Installation set, order no. 490522 and mounting brackets, order no. 492470
Dimensions (WxHxD)	585 x 65 x 493 mm	Mounting information	The walls installed on must meet the requirements of the furniture in terms of weight and the supplied fastening elements. If this cannot be guaranteed another method of installation needs to be chosen.
Matching for washbasin	see table below	Colours	260 – White matt 266 – Traffic grey 267 – Wild oak
Specification	Countertop – 65 mm box framed made of 18 mm MDF with laminate (only 260 – White matt) or PVC foil ( 266 – Traffic grey, 267 – Wild oak) with 2 mounting brackets max. load 150 kg	Otherwise	When ordering use the order form for Modular System and Countertops.
Weight	7,0 kg		
Accessories excl.	Towel holder chrome plated or lacquered, order no. 493120 Towel rail, anodized aluminium, order no. 490951		

**TECHNICAL DRAWINGS / S 1 : 20**



B / mm	Ceramic
204	Palomba Collection 816802
293	Ino 812300, 812302, 816300, 816302, 817301
	Kartell • LAUFEN 812331, 816332, 818331
	Laufen Pro 812962, 812964
	Living 811433, 811435, 817432 Lua 812083

B / mm	Ceramic
293	Savoy 812942
	Sonar 812340, 812341, 812342, 812343, 816341
	The New Classic 812850, 812851, 816852
	Val 812280, 813281, 816280

X = The exact height must be set during installation.