

Modular without cut-out

404550

405550

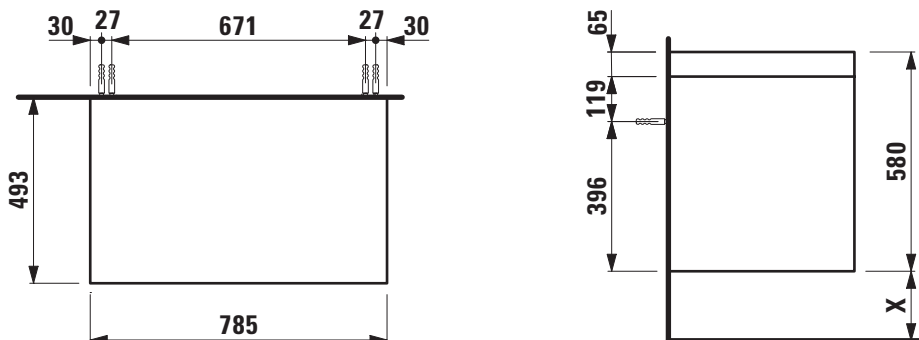
406550



TECHNICAL DATA

Order no.	404550 / countertop 65 mm White matt 405550 / countertop 65 mm Traffic grey 406550 / countertop 65 mm Wild oak	Mounting information	The walls installed on must meet the requirements of the furniture in terms of weight and the supplied fastening elements. If this cannot be guaranteed another method of installation needs to be chosen.
Dimensions (WxHxD)	785 x 580 x 493 mm	Colours Body/Front	
Specification	Countertop – 65 mm box framed made of 18 mm MDF with laminate (only 260 – White matt) or PVC foil (266 – Traffic grey, 267 – Wild oak) Drawer element – Body/Front 19 mm MDF panels, lacquered or PVC furniture foil (only 267 – Wild oak) integrated handles in the front 2 full extension drawers, anthracite (soft-close mechanism)	Drawer element	260 – White matt 261 – White glossy 266 – Traffic grey 267 – Wild oak 990 – Specialcolor lacquered selection 999 – Multicolor lacquered selection
Weight	38,0 kg	Colours Towel holder	
Accessories excl.	Towel holder chrome plated or lacquered, order no. 493120 Towel rail, anodized aluminium, order no. 490951 Space saving siphon, order no. 894240	order no. 493120	004 – Chrome plated 268 – White matt 450 – Black matt
Mounting acc. incl.	Installation set for furniture, order no. 493133	order no. 490951	104 – Aluminium glossy 105 – Aluminium 106 – Aluminium black

TECHNICAL DRAWINGS / S 1 : 20



X = The exact height must be set during installation.