

**Drawer element without cut-out
404330**

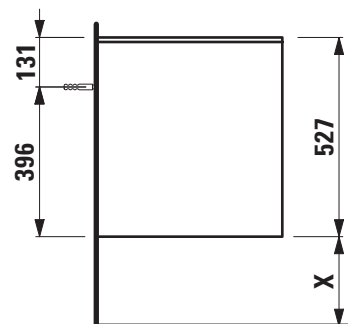
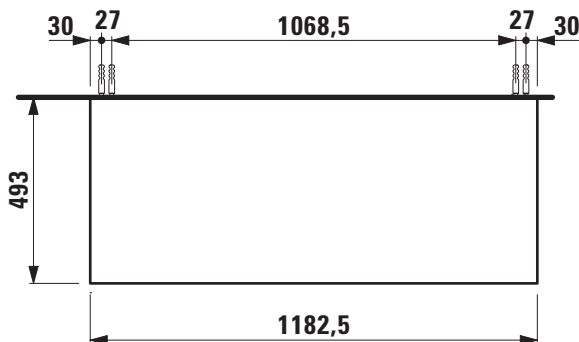


TECHNICAL DATA

Order no.	404330 / without cut-out
Dimensions (WxHxD)	1182,5 x 527 x 493 mm
Specification	Top – made of 12 mm MDF with laminate (only 260 – White matt) or PVC foil (266 – Traffic grey, 267 – Wild oak) Body/Front – 19 mm MDF panels, lacquered or PVC furniture foil (only 267 – Wild oak) integrated handles in the front 2 full extension drawers, anthracite (soft-close mechanism), incl. organizer
Weight	47,0 kg
Accessories incl.	Drawer organizer, U-shaped, order no. 496113
Accessories excl.	Towel holder chrome plated or lacquered, order no. 493120 Towel rail, anodized aluminium, order no. 490951
Mounting acc. incl.	Installation set for furniture, order no. 493133

Mounting information	The walls installed on must meet the requirements of the furniture in terms of weight and the supplied fastening elements. If this cannot be guaranteed another method of installation needs to be chosen.	
Colours Body/Front	260 – White matt	266 – Traffic grey
	267 – Wild oak	
Colours Towel holder order no. 493120	004 – Chrome plated	268 – White matt
	450 – Black matt	
order no. 490951	104 – Aluminium glossy	105 – Aluminium
	106 – Aluminium black	

TECHNICAL DRAWINGS / S 1 : 20



X = The exact height must be set during installation.