

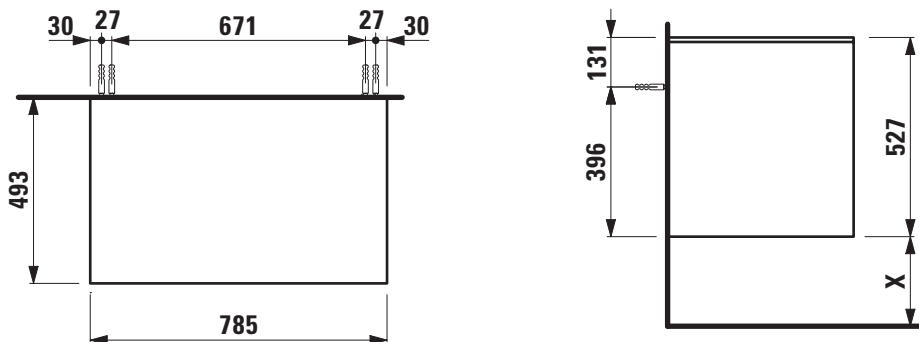
**Drawer element without cut-out
404310**



TECHNICAL DATA

Order no.	404310 / without cut-out	Mounting information	The walls installed on must meet the requirements of the furniture in terms of weight and the supplied fastening elements. If this cannot be guaranteed another method of installation needs to be chosen.
Dimensions (WxHxD)	785 x 527 x 493 mm	Colours Body/Front	260 – White matt 266 – Traffic grey 267 – Wild oak
Specification	Top – made of 12 mm MDF with laminate (only 260 – White matt) or PVC foil (266 – Traffic grey, 267 – Wild oak) Body/Front – 19 mm MDF panels, lacquered or PVC furniture foil (only 267 – Wild oak) integrated handles in the front 2 full extension drawers, anthracite (soft-close mechanism), incl. organizer	Colours Towel holder order no. 493120	004 – Chrome plated 268 – White matt 450 – Black matt
Weight	34,2 kg	order no. 490951	104 – Aluminium glossy 105 – Aluminium 106 – Aluminium black
Accessories incl.	Drawer organizer, U-shaped, order no. 496113		
Accessories excl.	Towel holder chrome plated or lacquered, order no. 493120 Towel rail, anodized aluminium, order no. 490951		
Mounting acc. incl.	Installation set for furniture, order no. 493133		

TECHNICAL DRAWINGS / S 1 : 20



X = The exact height must be set during installation.